



FOR
CITROËN C4 PICASSO / C4 GRAND PICASSO A/C+/- (09/06 >)



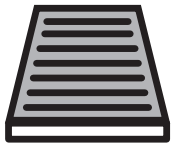
PROTECT

combined with
active carbon

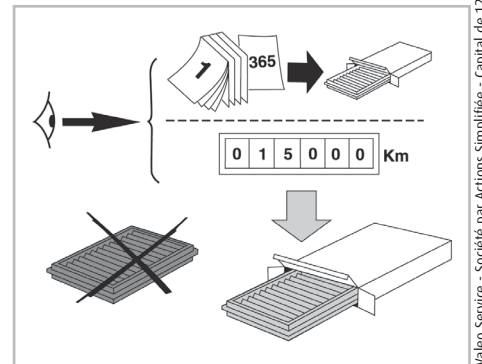
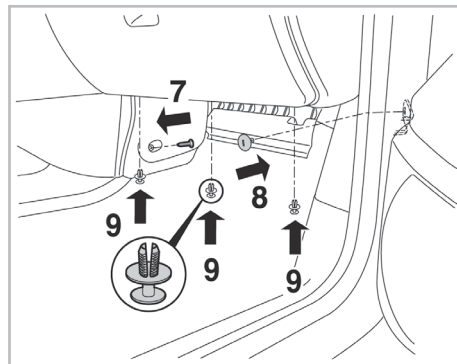
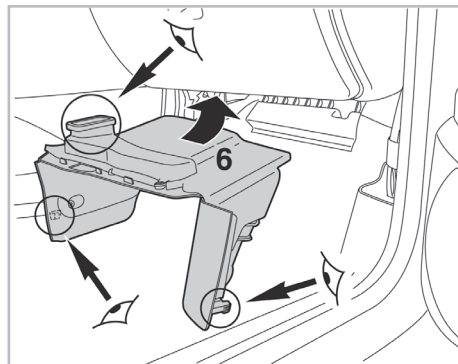
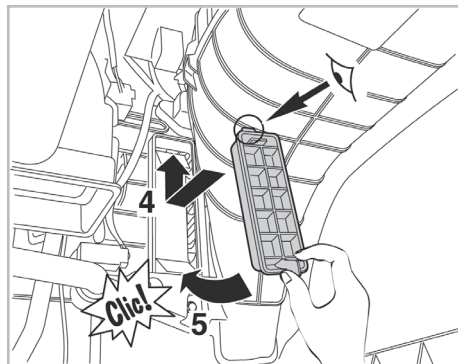
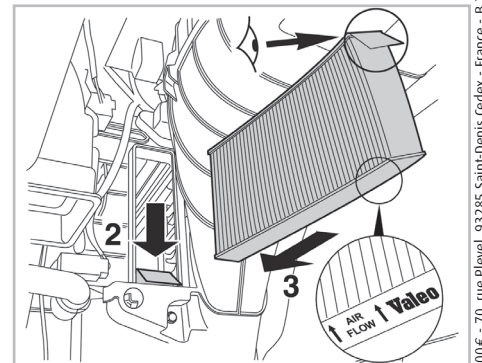
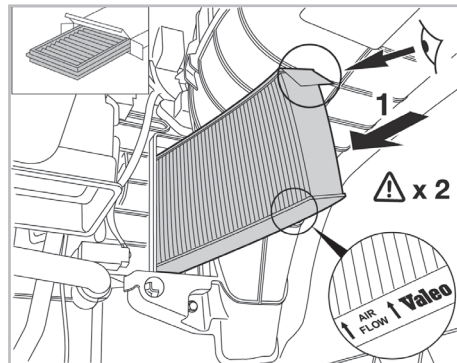
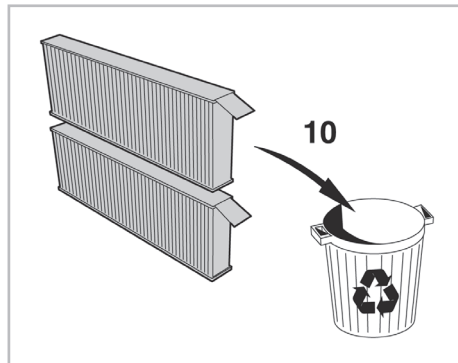
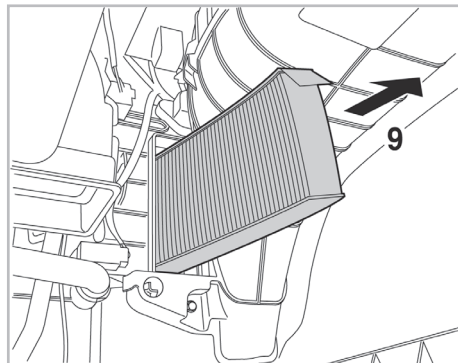
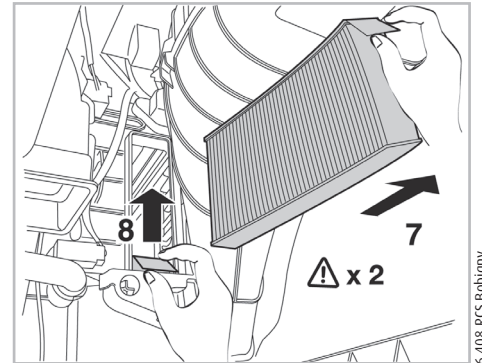
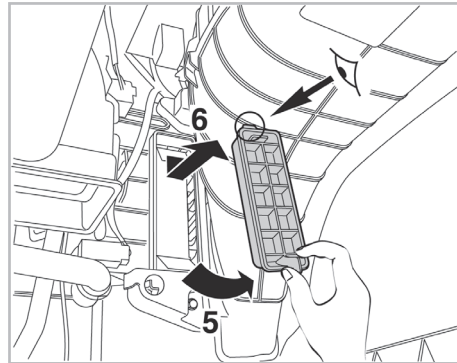
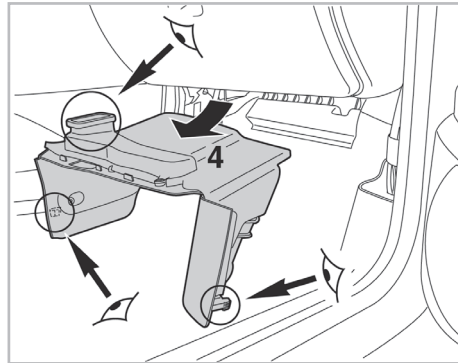
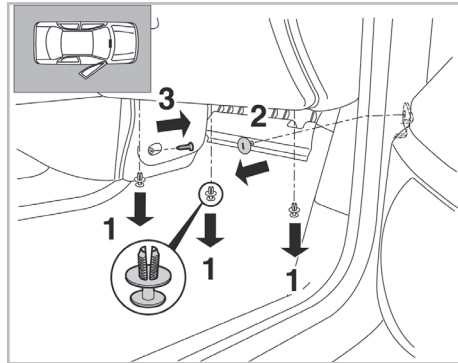


715555

FH227



CA



WANT TO
KNOW MORE?



www.valeo-techassist.com

Valeo Service - Société par Actions simplifiée - Capital de 12 900 000 € - 70, rue Playel, 93285 Saint-Denis Cedex - France - B 306 486 408 RCS Bobigny



FOR
CITROËN BERLINGO A/C+ (04/08 >)
PEUGEOT PARTNER A/C+ (04/08 >)



PROTECT

combined with
 active carbon

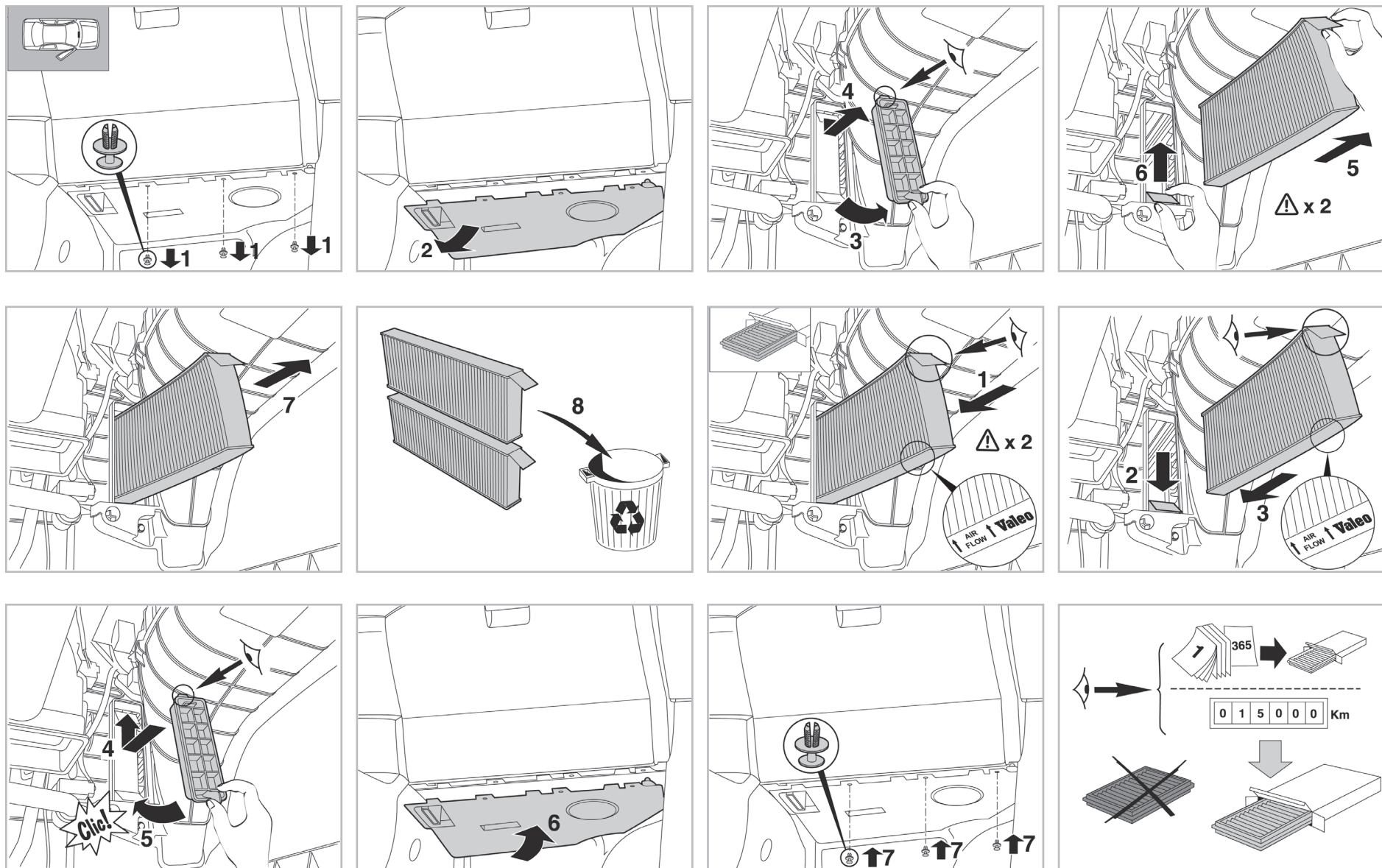


715555

FH227



CA



WANT TO
 KNOW MORE?



www.valeo-techassist.com

Valeo Service - Société par Actions simplifiée - Capital de 12 900 000 € - 70, rue Playel, 93285 Saint-Denis Cedex - France - B 306 486 408 RCS Bobigny